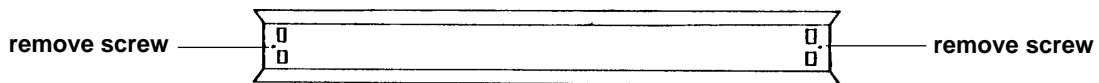


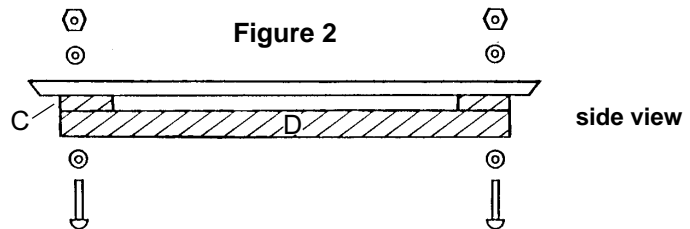
# Assembling a Light Bank

## Instructions

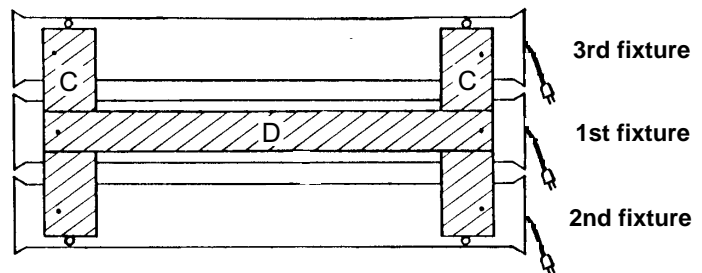
Purchase three 4-foot fluorescent light fixtures from local Hardware store. The 40 watt bulbs and ballast are sold separately. Each ballast runs two bulbs in one strip unit. These units must be put together to make a "light bank". Remove all light fixtures from boxes. Using screwdriver, remove center panel from underside of fixtures (Figure 1), exposing holes in light fixtures that will be used for attaching fixtures to  $\frac{3}{4}$ " x  $3\frac{1}{2}$ " x 16" wood pieces (C).



Place 1" x 2" x  $46\frac{1}{2}$ " wood piece (D) on a table. Center the two  $\frac{3}{4}$ " x  $3\frac{1}{2}$ " x 16" wood pieces on each end of D (Figure 2).



Place the 1st light fixture on the two  $\frac{3}{4}$ " x  $3\frac{1}{2}$ " x 16" (C) wood pieces so that its holes line up with the center of wood pieces C and the ends of wood piece D; then bolt the three pieces together using two  $\frac{1}{8}$ " x  $2\frac{1}{2}$ " bolts, nuts and washers (Figure 3).



Attach 2nd and 3rd fixtures to each end of  $\frac{3}{4}$ " x  $3\frac{1}{2}$ " x 16" wood pieces (C) in same manner using four  $\frac{1}{8}$ " x  $1\frac{1}{2}$ " bolts, nuts and washers. Replace center panels on underside of fixtures.

Figure 3

Use screws to attach sash handle to center of wood piece D. Attach light bank to support frame using four chains and S-hooks (Figure 4). The wooden frame shown was constructed using instructions on page 5.

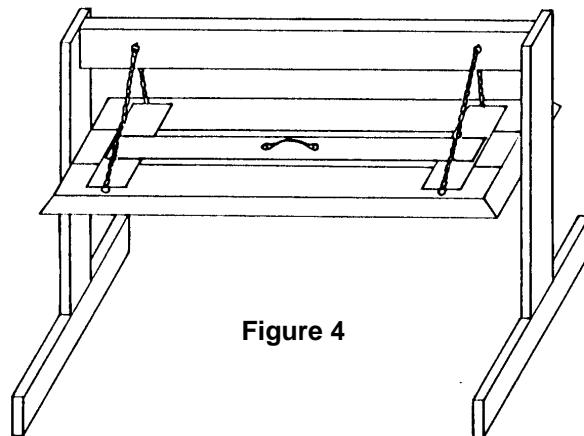


Figure 4

Figure 1